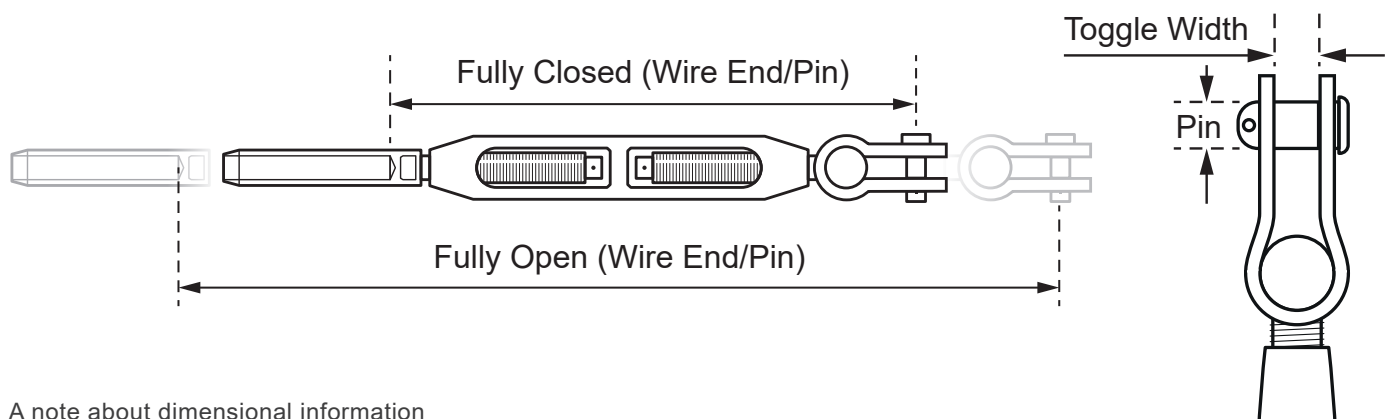


Sta-Lok Turnbuckle - Toggle and Swage Stud Marine Body - Forged Bronze

STA-LOK®



Code	Wire (mm)	Thread (inch)	Open (mm)	Closed (mm)	Toggle Width (mm)	Pin Ø (mm)
B24-03	3	1/4	232	156	6.4	6.4
B24-144	4	1/4	243	167	6.4	6.4
B24-04	4	5/16	261	178	8.4	7.9
B24-5165	5	5/16	261	178	8.4	7.9
B24-05	5	3/8	284	192	9.9	9.5
B24-386	6	3/8	289	197	9.9	9.5
B24-06	6	7/16	316	216	11.5	11.1
B24-7167	7	7/16	323	223	11.5	11.1
B24-07	7	1/2	343	239	13.1	12.7
B24-08	8	1/2	344	240	13.1	12.7
B24-588	8	5/8	415	289	16.3	16.0
B24-10	10	5/8	421	295	16.3	16.0
B24-12	12	3/4	537	369	19.1	18.5



A note about dimensional information

Please be aware that dimensions published on our site should be treated as indicative.

We publish dimensions to the best of our ability, however manufacturers can, from time to time, make small alterations to their designs.

If your dimensional criteria is critical please do contact us prior to making your purchase to let us know and we will do our best to fulfil your requirements.