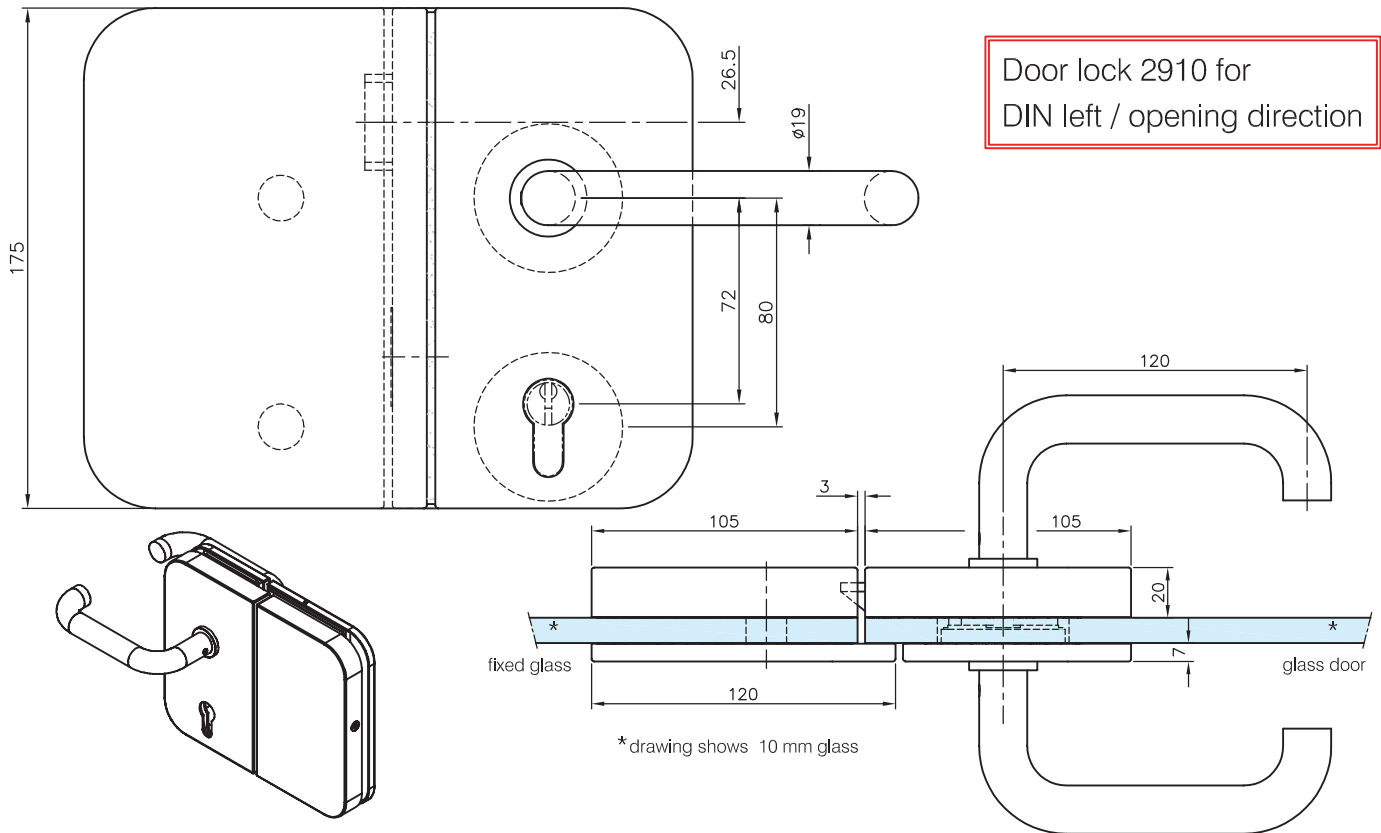


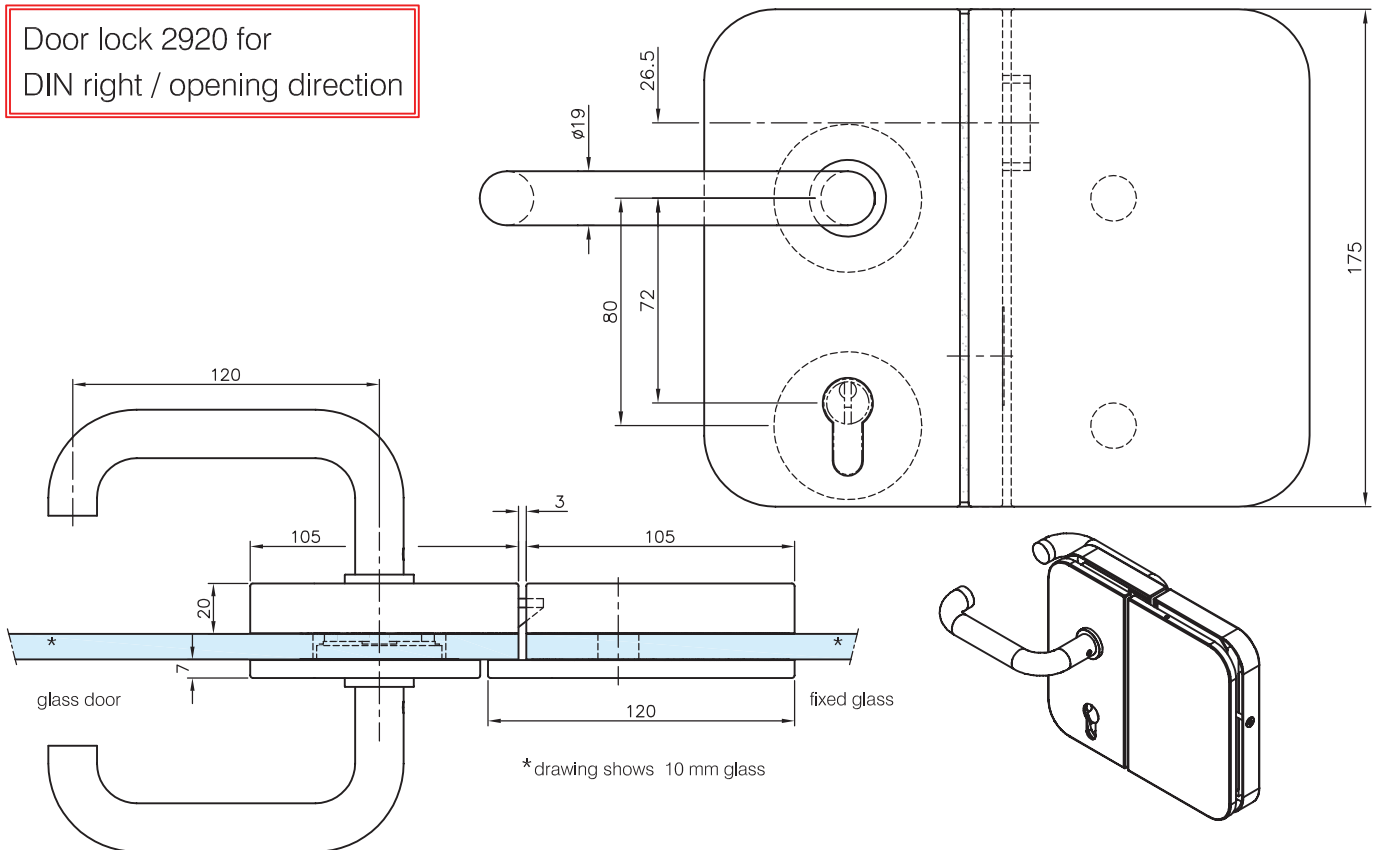
Strike Box for Door Lock

45.2910.005.12
45.2920.005.12

Door lock 2910 for
DIN left / opening direction

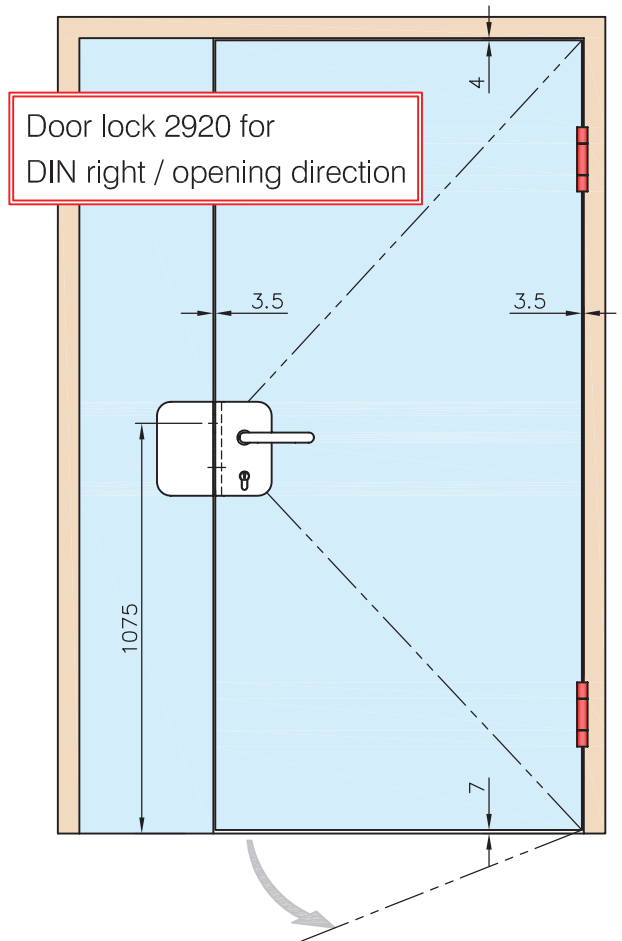
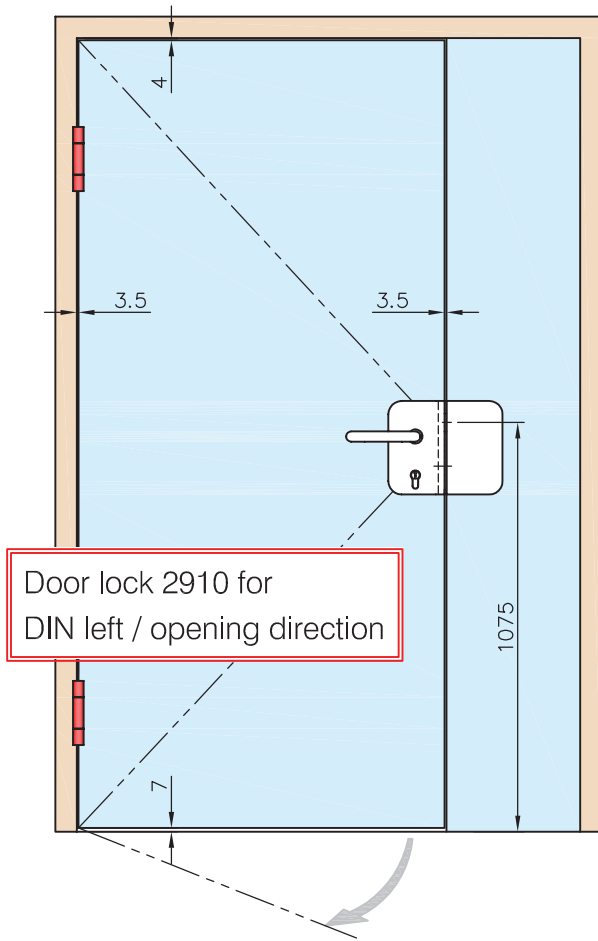


Door lock 2920 for
DIN right / opening direction

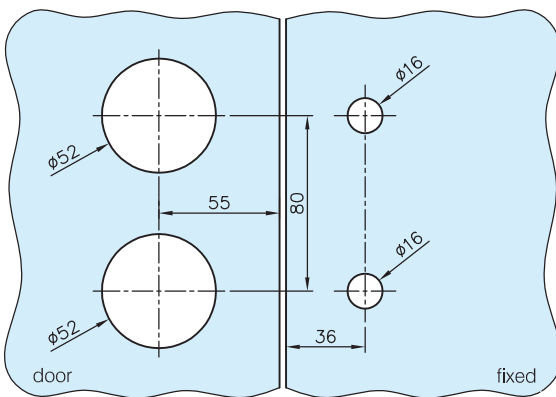


Strike Box for Door Lock

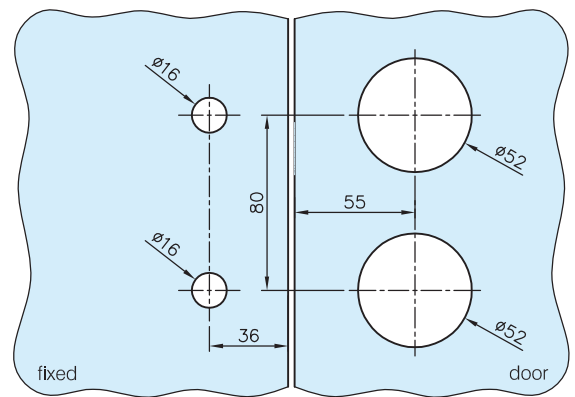
45.2910.005.12
45.2920.005.12



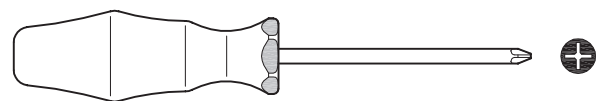
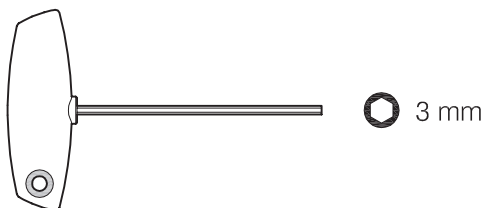
glass cut out left opening direction



glass cut out right opening direction



Mounting tools:

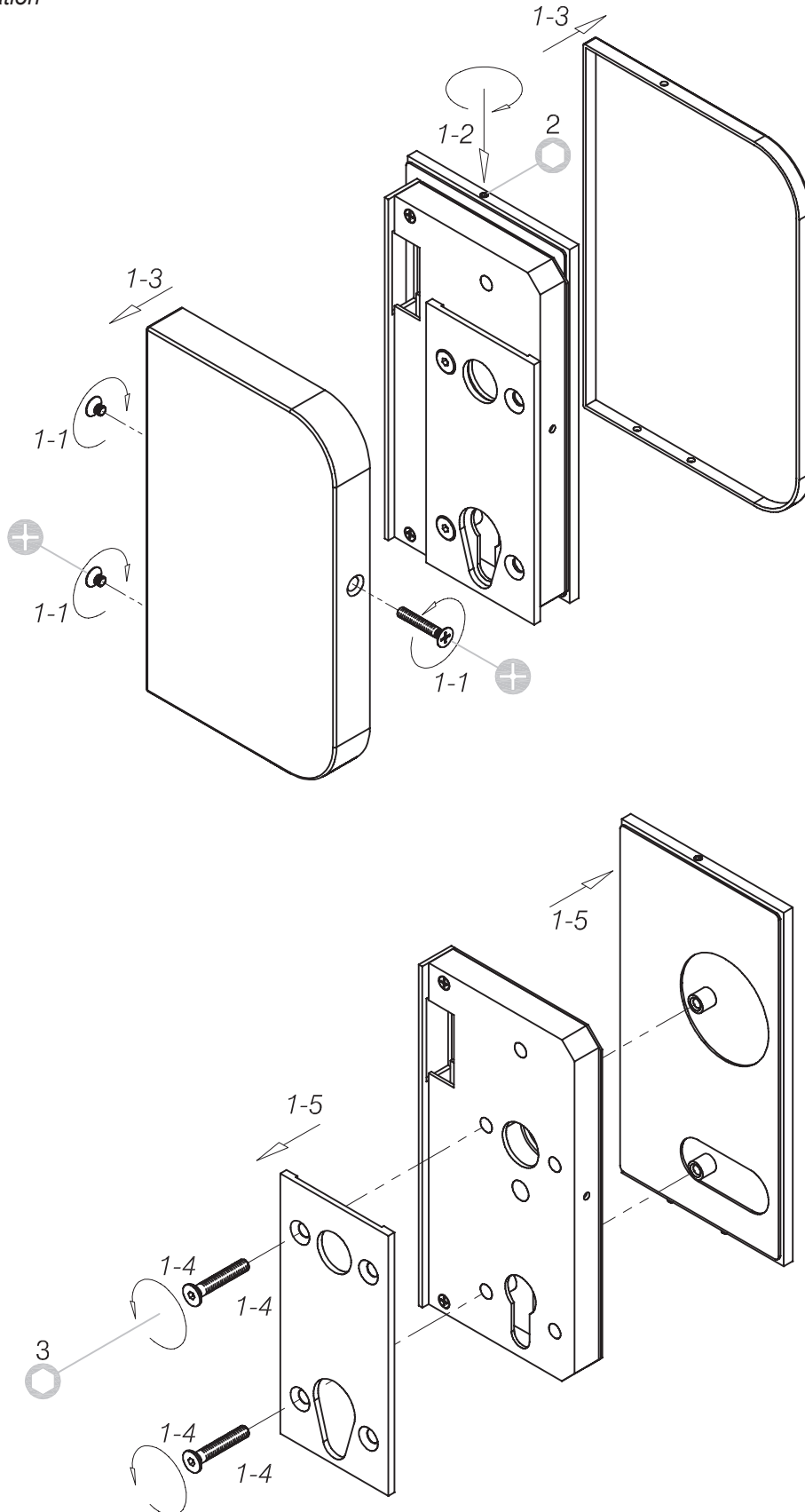


Important: The glass clamping area must be cleaned with a standard glass cleaning fluid before install the lock.
!!! Do not use thinners (solvents)!

Strike Box for Door Lock

45.2910.005.12
45.2920.005.12

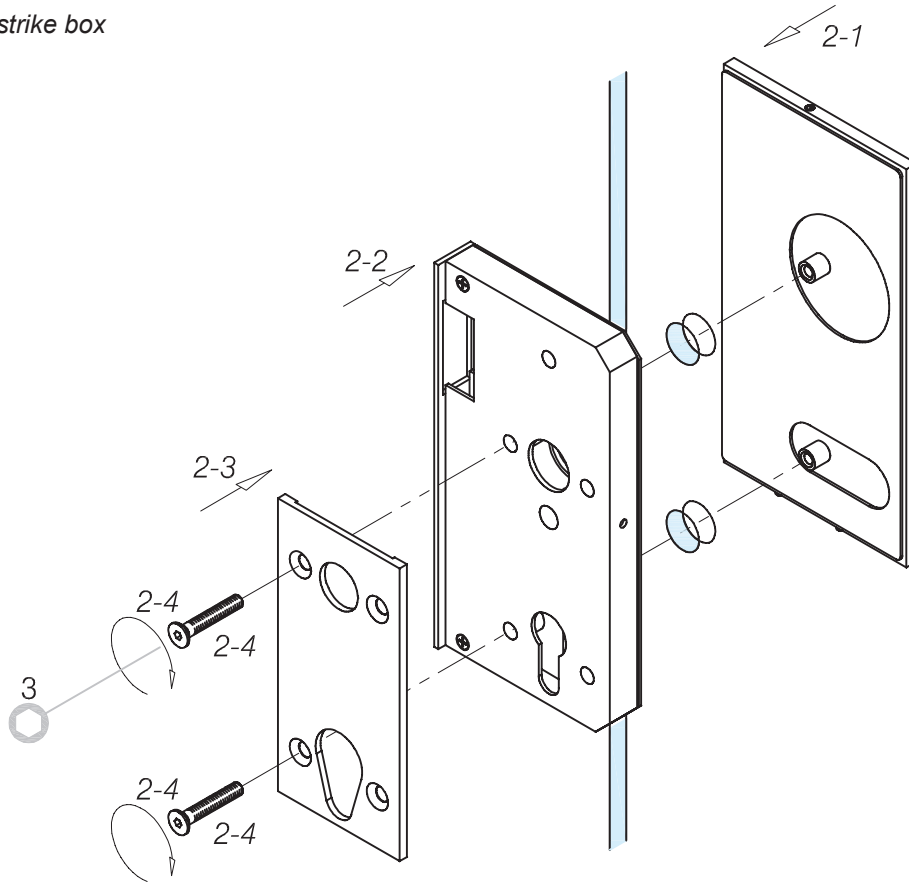
1: strike box preparation



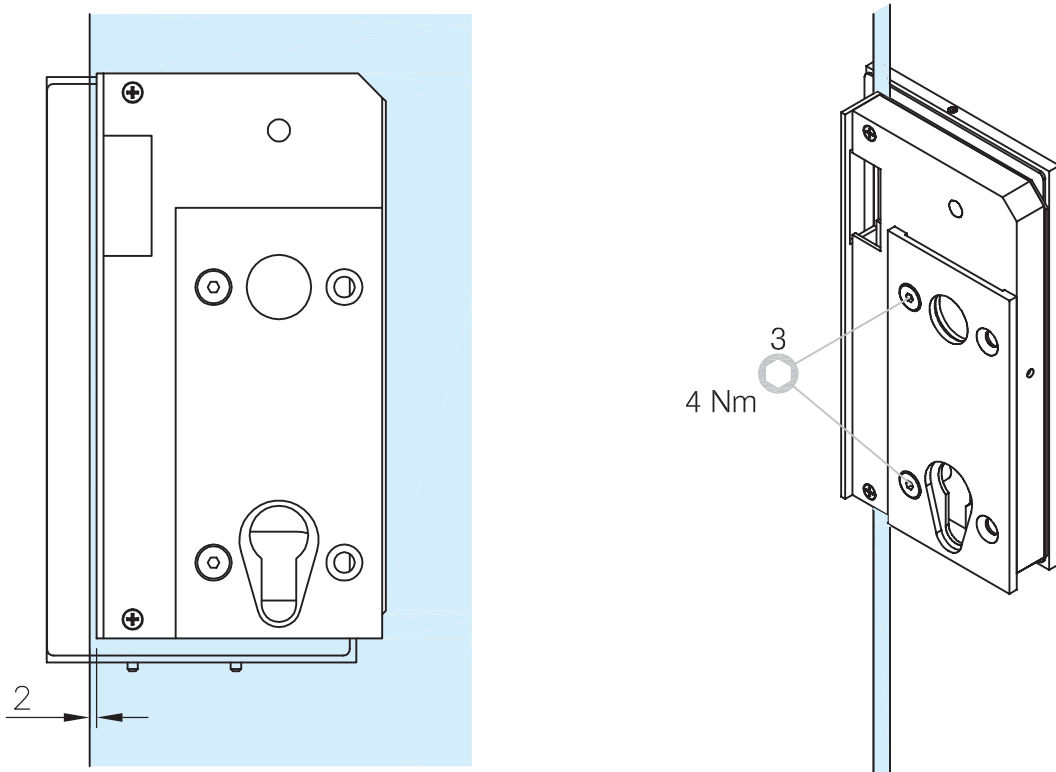
Strike Box for Door Lock

45.2910.005.12
45.2920.005.12

2: assembly of the strike box



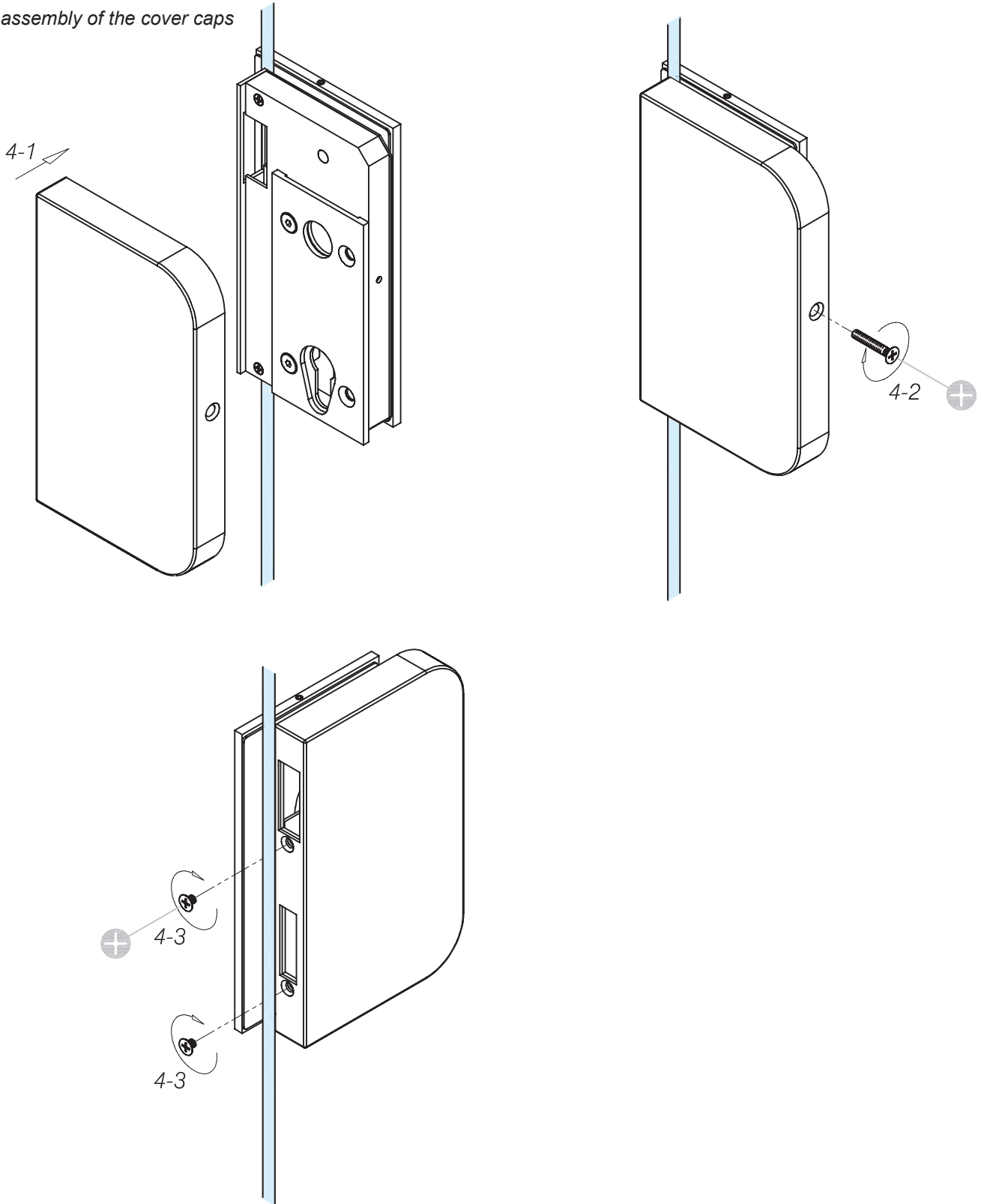
3: align strike box to the glass



Strike Box for Door Lock

45.2910.005.12
45.2920.005.12

4: assembly of the cover caps



Strike Box for Door Lock

45.2910.005.12
45.2920.005.12

4b: assembly of the cover caps

