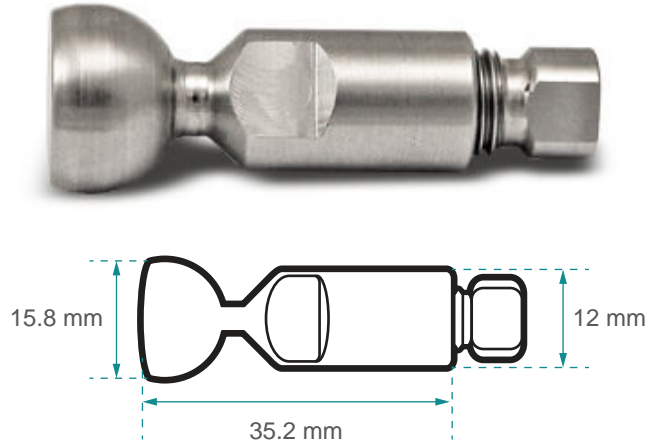


## Swageless Ball End Wire Rope Fitting Installation Advice

Compression design to fit 4mm Ø 7x7 stainless steel wire rope.  
Manufactured from 316 (marine) grade stainless steel.  
Fits neatly into wire balustrade ball end mounting sockets.

### Tools required :

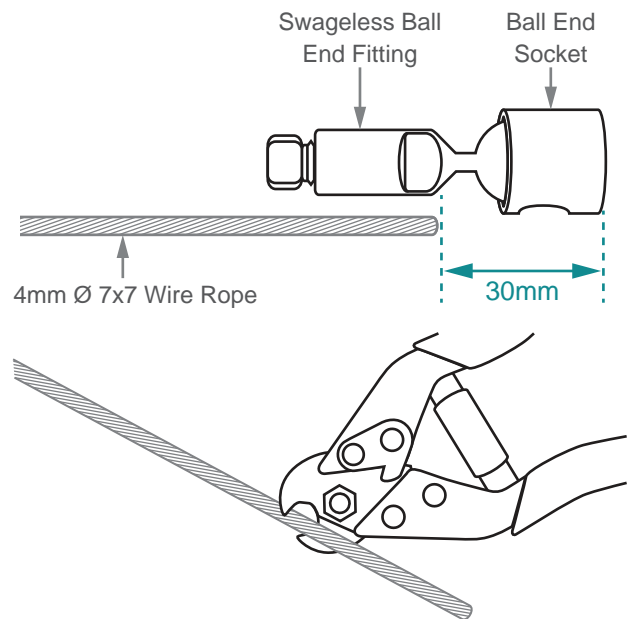
- 8mm open end spanner/wrench
- 9mm open end spanner/wrench
- Wire rope cutters



### 1 Cut Wire

Cut your wire to required length, we recommend using a set of good wire rope cutters to give you a neat and tidy cut.

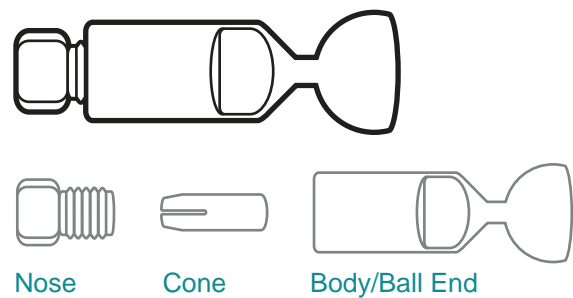
**Remember - Measure Twice, Cut Once!**  
Please be as accurate as possible.



### 2 DIY Compression Fitting

The first step is to take apart your DIY compression fitting.

Simply unscrew the nose piece and remove the cone from inside.



## Swageless Ball End Wire Rope Fitting Installation Advice

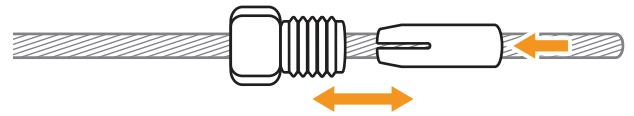
### 3 Thread Nose Piece onto Wire

Taking the blank wire end place the nose piece over the stainless steel wire rope (ensuring the thread end is towards the end of your wire).



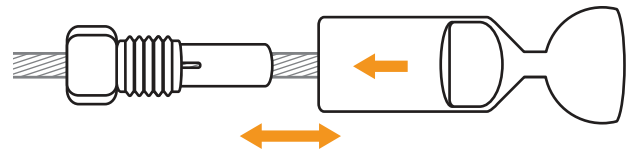
### 4 Thread Cone onto Wire

Thread the cone onto the wire and push into the threaded cone chamber.



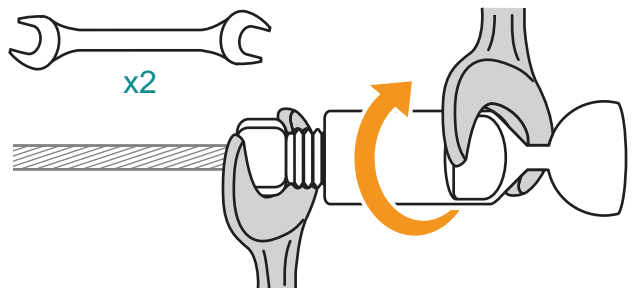
### 5 Place Ball End onto Wire

Take the stainless steel body and push onto the wire, eventually bringing the three component parts together. Turn in opposite directions to thread them together.



### 6 Secure Ball End Fitting

Using a pair of 8mm and 9mm spanners screw the two sections together until tight.



### 7 Mounting Ball End Fitting

Insert the DIY ball end into the fixing hole of the hub.

