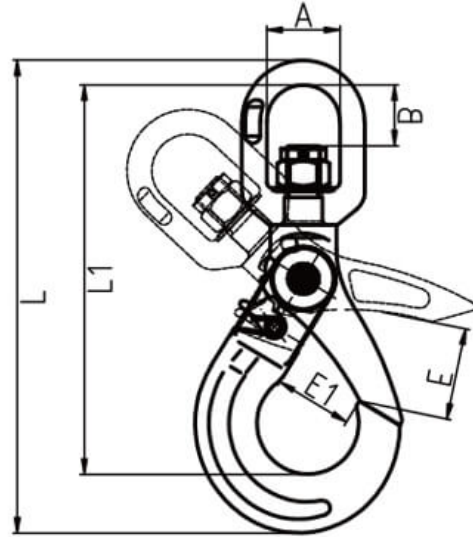


## Swivel Lifting Hook - Brass Bushing - Self Locking - Grade 80



Code	Chain Ø (mm)	WLL (tonne)	Weight (kg)	A (mm)	B (mm)	E (mm)	E1 (mm)	L (mm)	L1 (mm)
XN755-07	7/8	2	1.15	36	29.5	28.9	35.8	228	189
XN755-10	10	3.15	1.86	42	35	48	48	270	224
XN755-13	13	5.3	3.51	50	41	54	52.5	324	267
XN755-16	16	8	7.33	61	56.8	47.5	63.3	406	355.6
XN755-20	18/20	12.5	10.3	72	63	52	86	460	378
XN755-22	22	15	17.5	97	98	69	76	564	466
XN755-26	26	21.2	23	123	115	97.3	96	661	544
XN755-32	32	31.5	81	140	146	99	135	829	679

A note about dimensional and loading information

Please be aware that dimensions and loads published on our site should be treated as indicative.

We publish this information to the best of our ability, however manufacturers can, from time to time, make small alterations to their designs.

If your dimensional criteria is critical please do contact us prior to making your purchase to let us know and we will do our best to fulfil your requirements.