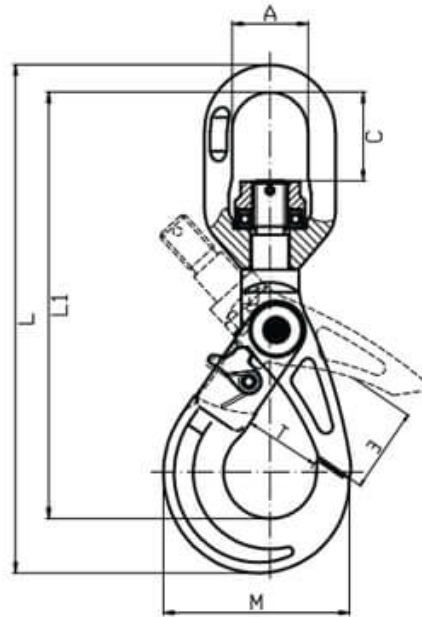


## Swivel Lifting Hook - Roller Bearing - Self Locking - Grade 80



Code	Chain Ø (mm)	WLL (tonne)	Weight (kg)	A / C (mm)	E (mm)	L (mm)	L1 (mm)	M (mm)	T (mm)
XN042-07	7/8	2	1.1	36/40	39	240	202	88	35
XN042-10	10	3.15	2	42/48	48	283	237	108	45
XN042-13	13	5.3	4	50/58	65	343	282	134	52.5
XN042-16	16	8	7.3	61/60	65	419	341.5	168.6	63.3
XN042-20	18/20	12.5	11.6	76/75.5	85	483	399.5	186.2	86
XN042-22	22	15	16	97/97	80	564	466	202	76
XN042-26	26	21.2	21.5	132/115	125	661	544	244	96

A note about dimensional and loading information

Please be aware that dimensions and loads published on our site should be treated as indicative.

We publish this information to the best of our ability, however manufacturers can, from time to time, make small alterations to their designs.

If your dimensional criteria is critical please do contact us prior to making your purchase to let us know and we will do our best to fulfil your requirements.