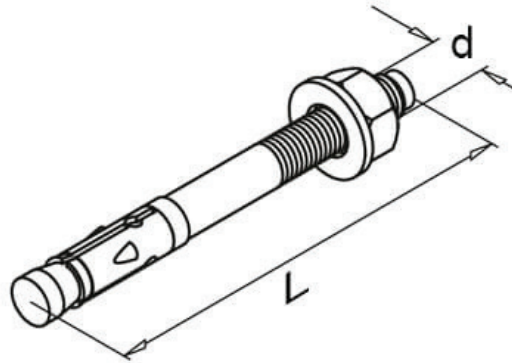


Threaded Expansion Anchor Bolt



Option	Code	Material	L (mm)	d (Thread)	Drill Ø (mm)
M8 Anchor	19.4108.121.15	Zinc-Plated	75	M8	8
M10 Anchor	19.4110.130.15	Zinc-Plated	95	M10	10
M8 Anchor	19.4108.121.14	316 Stainless Steel	75	M8	8
M10 Anchor	19.4110.130.14	316 Stainless Steel	95	M10	10

A note about dimensional information

Please be aware that dimensions published on our site should be treated as indicative.

We publish dimensions to the best of our ability, however manufacturers can, from time to time, make small alterations to their designs.

If your dimensional criteria is critical please do contact us prior to making your purchase to let us know and we will do our best to fulfil your requirements.