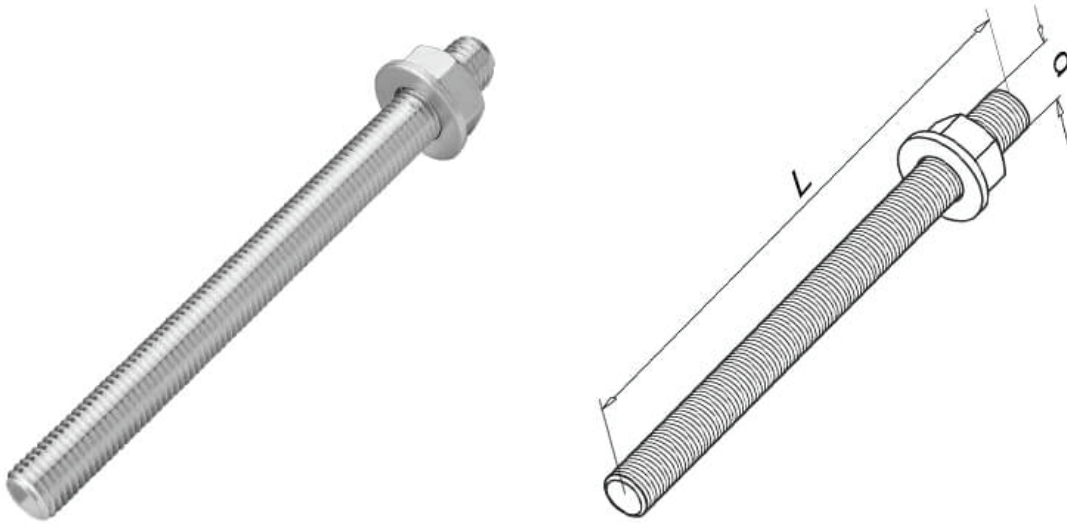


## Threaded Stud Anchor - 316 Stainless Steel



Option	Code	Thread	L (mm)	d (mm)
M8 x 85 Anchor	19.4408.110.14	M8	110	8
M8 x 205 Anchor	19.4408.205.14	M8	205	8
M10 x 130 Anchor	19.4410.130.14	M10	130	10
M12 x 155 Anchor	19.4412.155.14	M12	155	12
M12 x 175 Anchor	19.4412.175.14	M12	175	12
M12 x 265 Anchor	19.4412.265.14	M12	265	12
M16 x 205 Anchor	19.4416.205.14	M16	205	16

### A note about dimensional information

Please be aware that dimensions published on our site should be treated as indicative.

We publish dimensions to the best of our ability, however manufacturers can, from time to time, make small alterations to their designs.

If your dimensional criteria is critical please do contact us prior to making your purchase to let us know and we will do our best to fulfil your requirements.