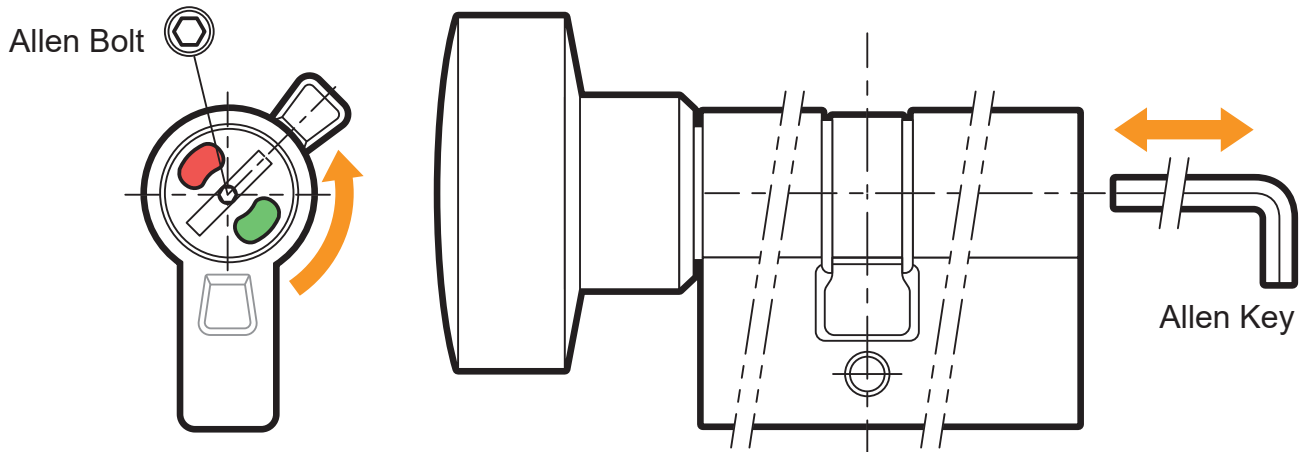


Thumbturn Door Lock - Profile Cylinder - 31/31mm

Vacant/Engaged Cylinder Profile Thumb Lock for Bathroom and Sanitary Settings



(A) Locking the lock

1. Open the door.
2. Place the cylinder in the lock with the knob on the desired side.
3. Screw the bolt of the cylinder.
4. Remove the Allen-bolt from the cylinder (see diagram).
5. Place the Allen-key into the hole.
6. Place yourself on the closing side of the door.
7. Press the Allen-key while turning the knob in the direction to lock the door until you feel resistance.
8. Remove the Allen-key and turn the knob.
The lock engages.
9. Screw the Allen-bolt back into the cylinder.
- 10 Test the correct operation of cylinder and lock.

(B) Adaptation of the coloured indicator

1. Green: unlocked - Red: locked
2. Plug the Allen-key into one of the holes of the coloured indicators.
Using the Allen-key turn the coloured indicator at the same time as the knob.