

Installation Advice for Timber Handrail

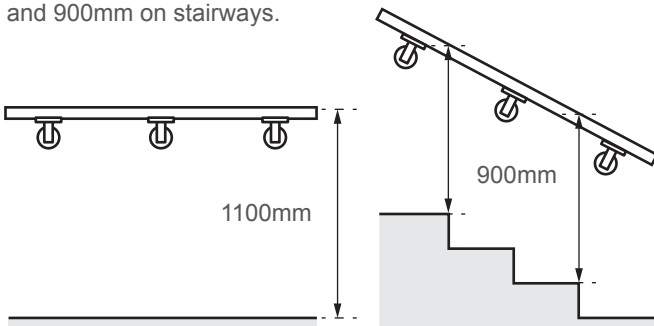
Timber Handrail with Tilt Adjust Plate Bracket - 40.102

For a straight forward installation you will require a few household tools: pencil, tape measure, spirit level, drill, screwdriver and suitable rawl/wall plugs.

Please Note: For handrails of 3 metres or more you will need to connect your handrail tubes together before installation. Please refer to **section B** for a guide on how to connect your handrail correctly.

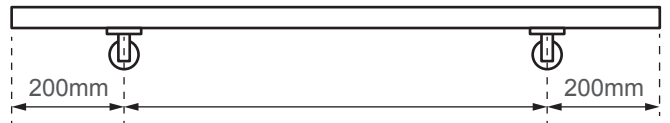
Handrail Positioning

You can mount your handrail to the height that suits you best. We recommend a height of 1100mm on flat installations and 900mm on stairways.



Bracket Positioning

Any additional brackets should be placed equidistant between the two end brackets.

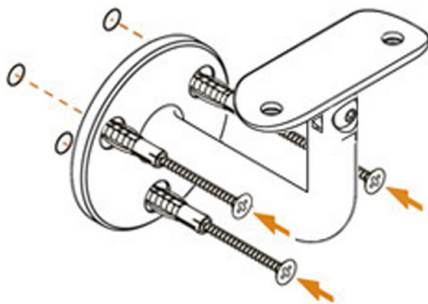


Our handrails are manufactured from natural timber, this sometimes results in natural flex or slight curves. Handrails will straighten once correctly installed.

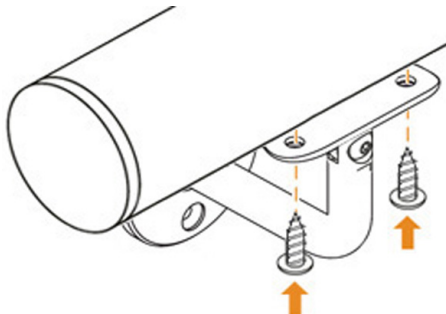
Installation

First we recommend that you mark out the bracket positions in pencil onto the intended fixing surface, using a tape measure and spirit level.

- 1 Drill pilot holes and insert your rawl/wall plug. Fix the handrail brackets to the wall with No.10 screws.



- 2 Position handrail in place and secure using the screws provided.

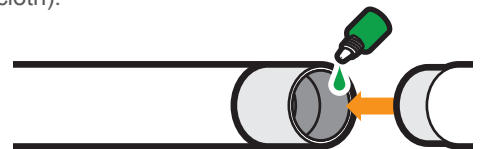


B Connecting your tube together using the pre-fitted in-line connector

- B1 Ensure that the open ends of both handrail tubes are clean and free from dust and debris.



- B2 Apply the high strength stainless steel adhesive to the in-line connector and insert into the open handrail tube end (wipe away any spillage with a damp cloth).



- B3 Allow adhesive to set thoroughly before attaching to handrail brackets. (Adhesive setting times are dependent on ambient temperature).

