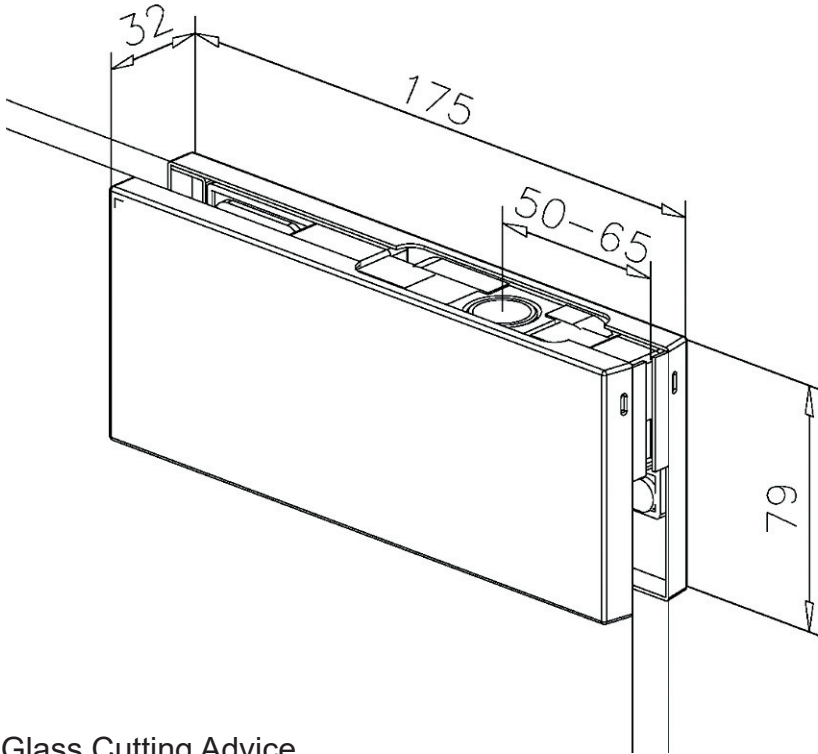
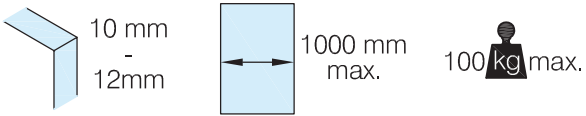


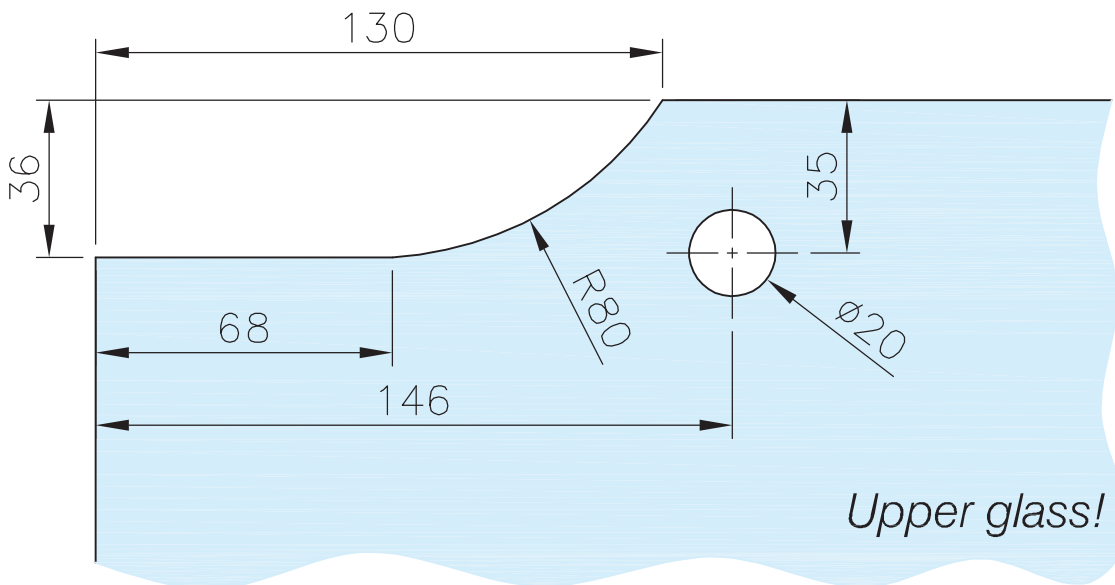
**Top Corner Door Patch - (Hydraulic Range)**

Stainless Steel - **45.0107.000.12**  
Anthracite (Black) - **45.0107.000.26**



**Glass Cutting Advice**

Glass will require cutting and drilling at manufacture stage



*Important:*  
The glass clamping area must be cleaned before installation.  
We recommend using glass cleaner  
(Do not use thinners/solvents!)

**Top Corner Door Patch - (Hydraulic Range)**

Stainless Steel - **45.0107.000.12**  
Anthracite (Black) - **45.0107.000.26**

Glass door installation:

