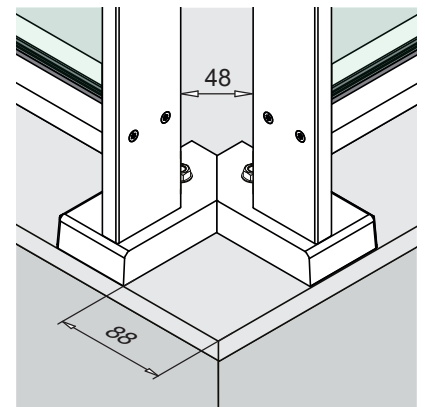
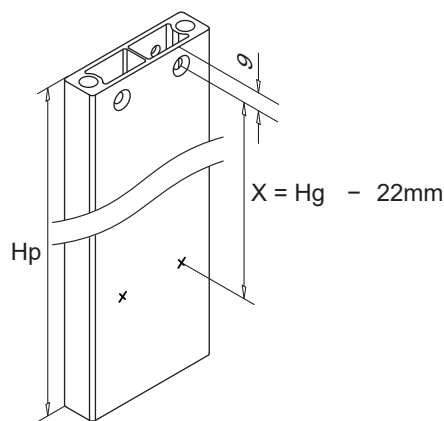
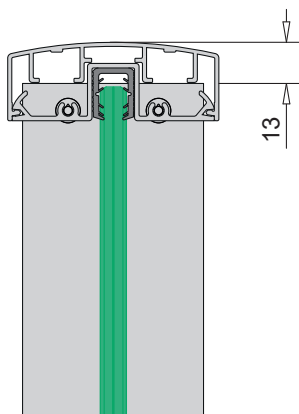
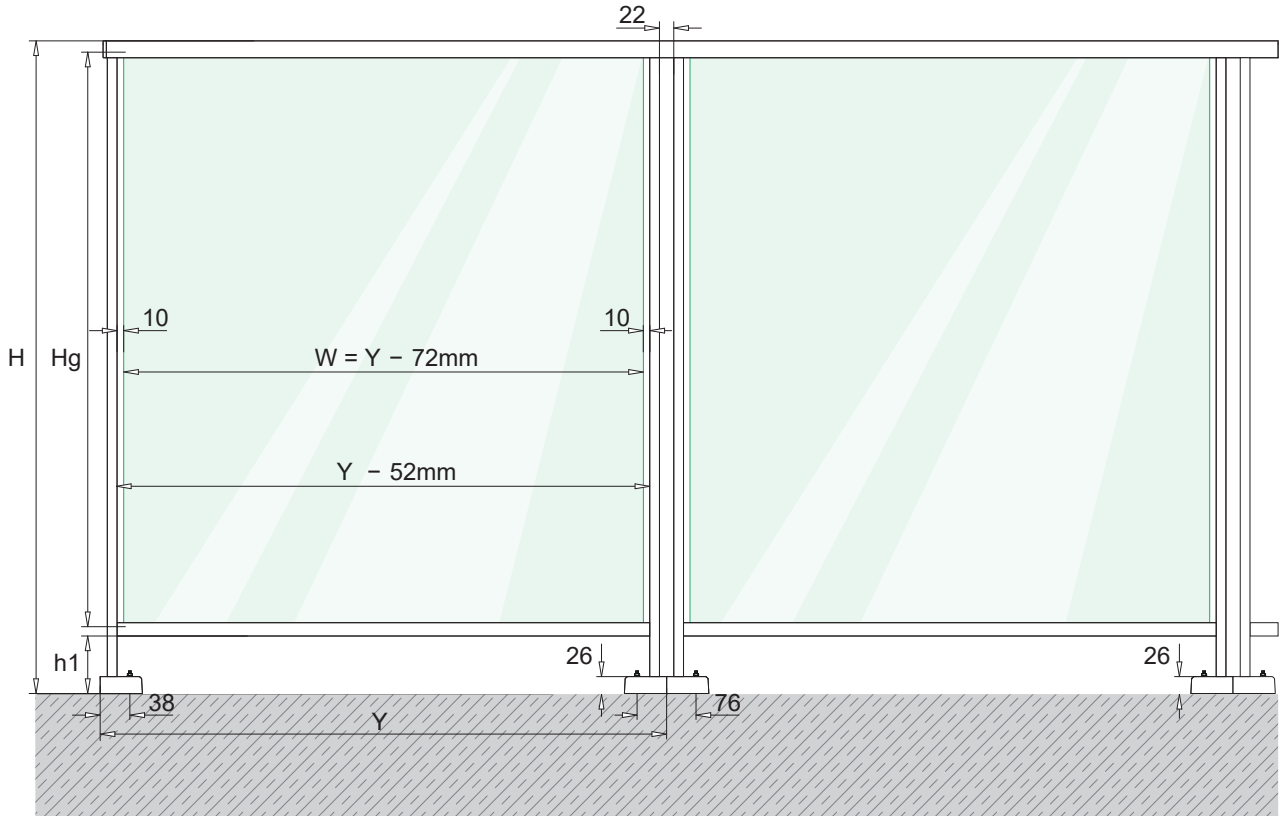


## Top Mount - Easy Alu Balustrade Installation Advice



### Calculation baluster post

Railing height (H) + 140mm = baluster post height (Hp)

Railing height (H)	Baluster post height (Hp)
900mm	865mm
1000mm	965mm
1100mm	1065mm
1200mm	1165mm

### Glass calculation

Railing height (H)

Glass width (W) =  $Y - 72\text{mm}$

Glass height (Hg) = railing height (H) - h1 - h2

### Distance drill holes in baluster post (X)

$X = \text{glass height (Hg)} - 22\text{mm}$

## Top Mount - Easy Alu Balustrade Installation Advice

