

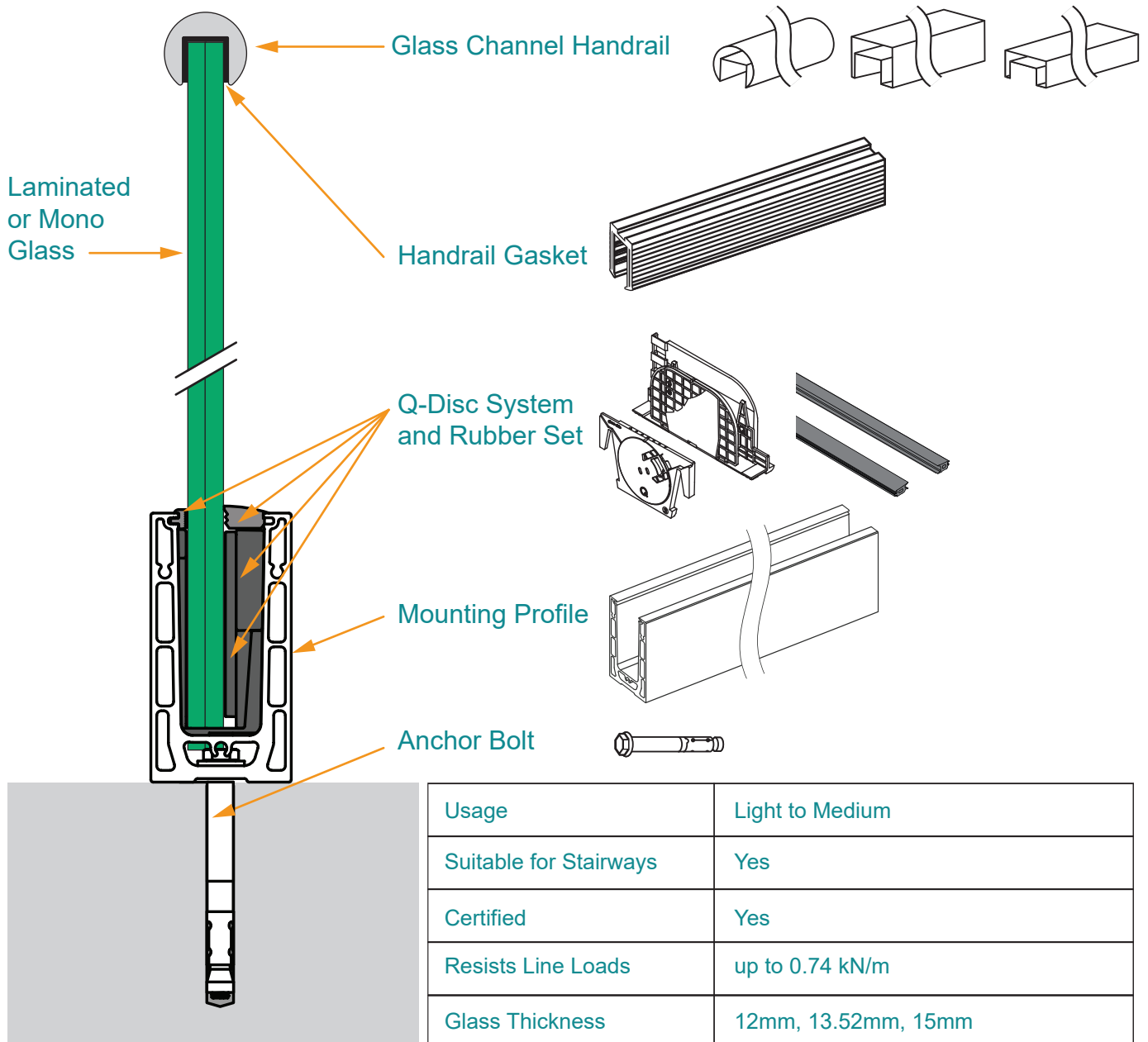
Top Mount Easy Glass Smart Balustrade

- Profiles are manufactured from Aluminium with a brushed anodized finish.
- Connection pins for easy alignment and connection of base units.
- Adjustable Q-Disc inlay system and rubber set - for quick and easy glass alignment.
- Suitable for indoor and outdoor installation.
- Minimal use of anchors in base-shoe installation
- Choice of compatible handrail, cap rail and connectors available
- Powder coating of the aluminum components on request

Any quoted figures about the performance of these products relate to installing into concrete.

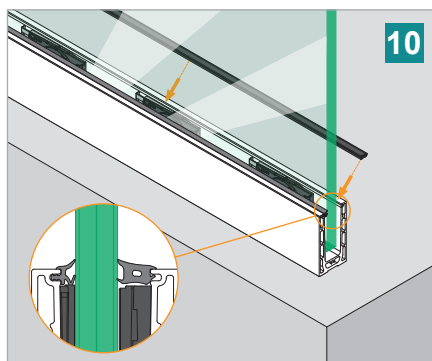
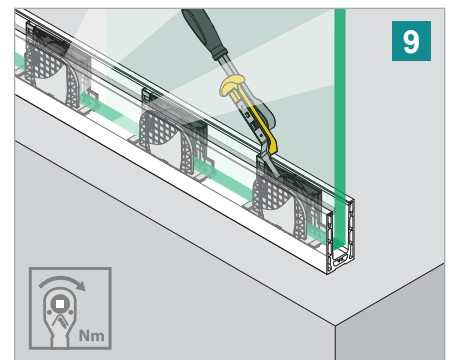
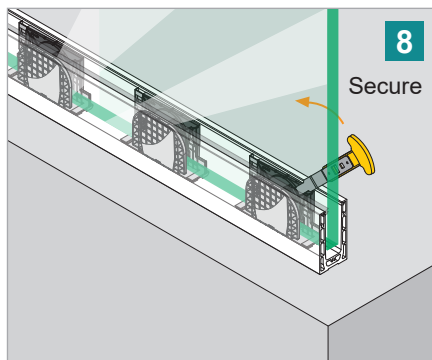
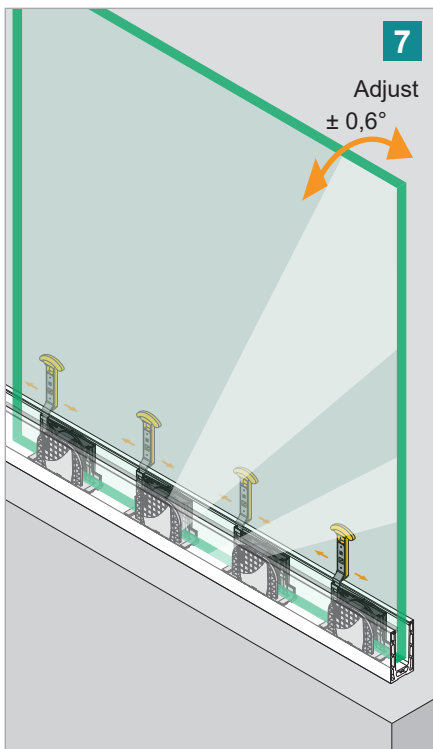
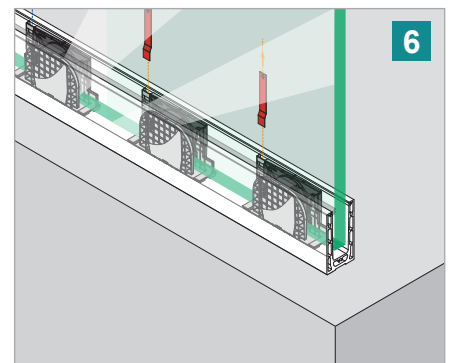
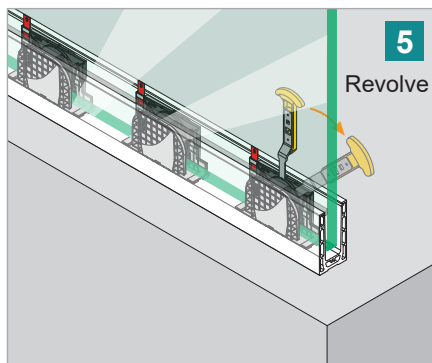
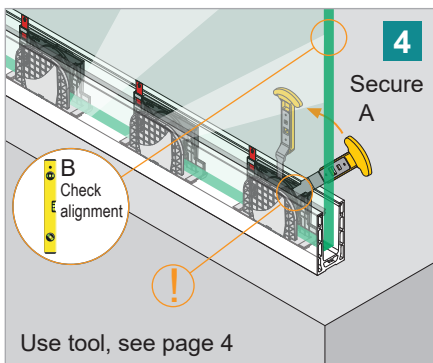
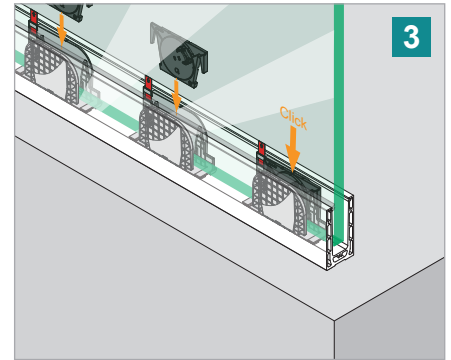
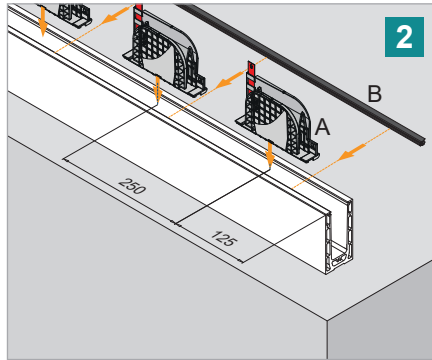
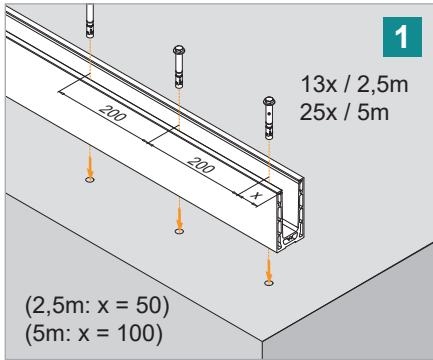
Please take advice from an engineer or specialist when installing into any other material, such as timber.

Typical Balustrade Components



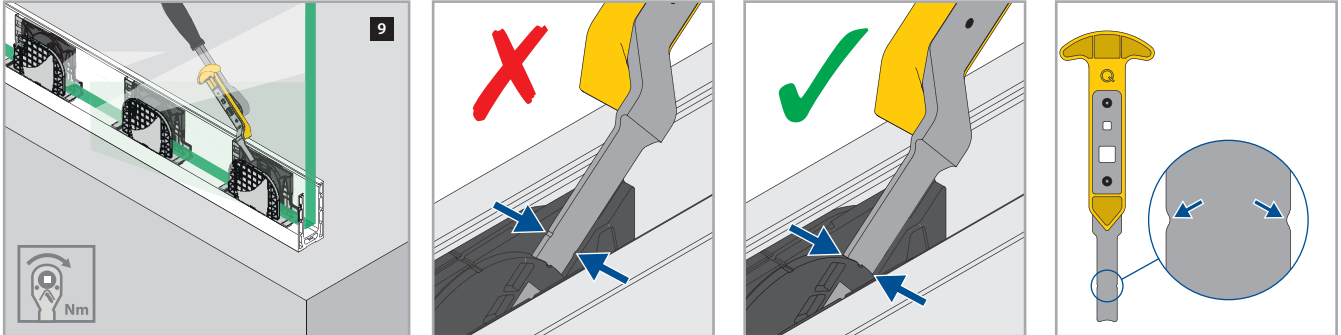
Usage	Light to Medium
Suitable for Stairways	Yes
Certified	Yes
Resists Line Loads	up to 0.74 kN/m
Glass Thickness	12mm, 13.52mm, 15mm

Top Mount Easy Glass Smart Balustrade

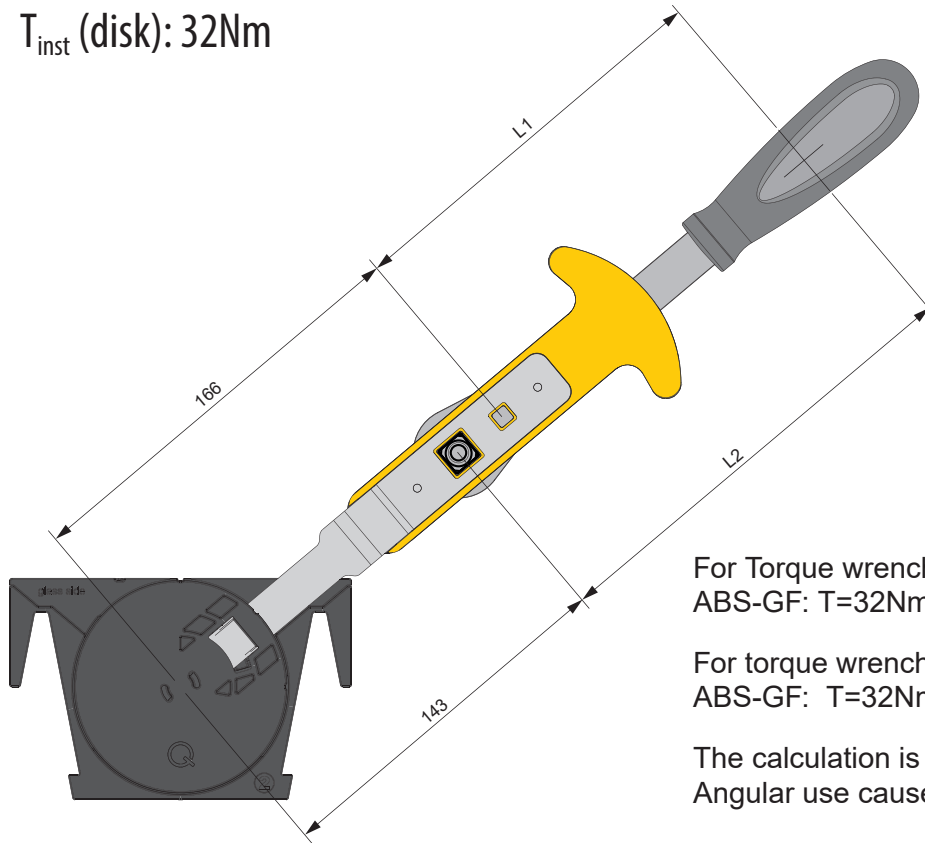


Top Mount Easy Glass Smart Balustrade

Q-disc and inlay tool



$T_{inst} \text{ (disk): } 32\text{Nm}$



For Torque wrench 1/4":
ABS-GF: $T=32\text{Nm} \cdot L1 / (L1+166\text{mm})$

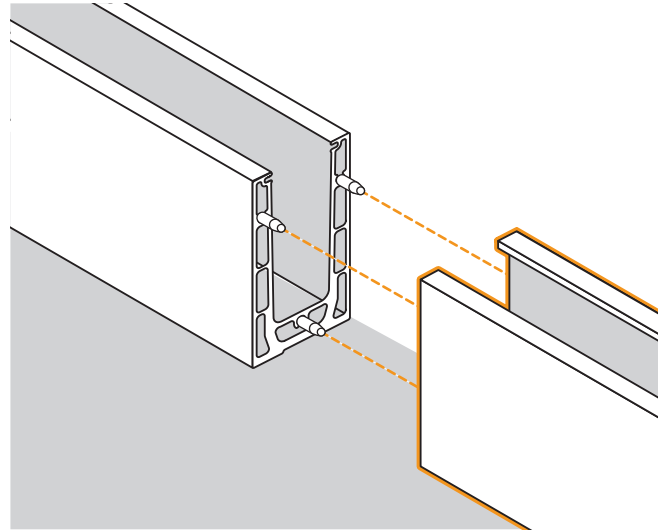
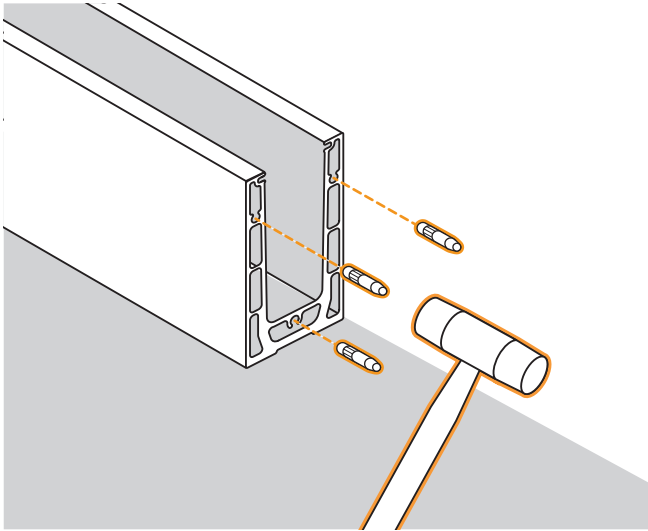
For torque wrench 1/2":
ABS-GF: $T=32\text{Nm} \cdot L2 / (L2+143\text{mm})$

The calculation is valid for straight-lined use.
Angular use causes different torque.

Top Mount Easy Glass Smart Balustrade

Connection Advice - Easy Glass Smart

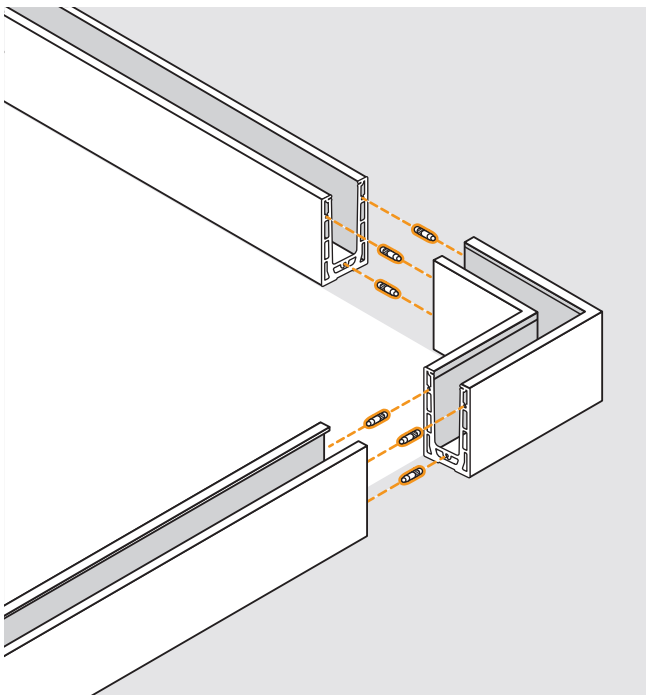
Top mount base profiles are joined together using three pin connectors, simply insert pins into your first profile and tap into place with a rubber hammer. You can position and push your next base profile on to the pins. Pins are supplied with 5 metre lengths of channel, extra pins maybe required when adding multiple corners, and are available to purchase individually.



Corner Connection Advice - Easy Glass Smart

Symmetrical base profiles allow you to simply rotate corner sections for inner or outer corners.

Inner Corner



Outer Corner

