

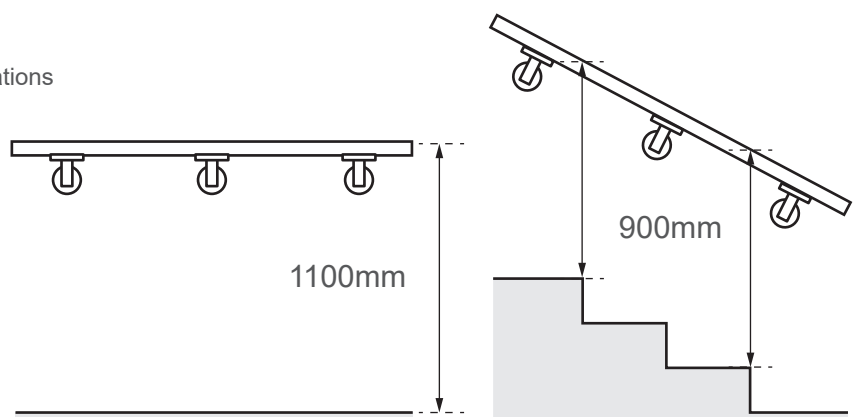
Installation Advice for Tubular Handrail Tubular Handrail with Angle Plate Bracket - Mod 100

For a straight forward installation you will require a few household tools:

- Pencil
- Tape Measure
- Spirit Level
- Drill
- Spanner / Wrench
- Rawl / Wall Plugs

Handrail Positioning

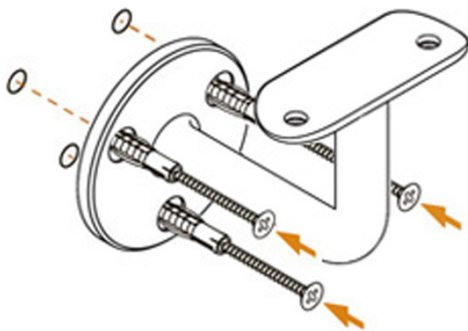
Recommended height of 1100mm on flat installations and 900mm on stairways.



Installation

First we recommend that you mark out the bracket positions in pencil onto the intended fixing surface, using a tape measure and spirit level.

- 1 Drill pilot holes and insert your rawl/wall plug.
Fix the handrail brackets to the wall with No.10 screws.



- 2 Position handrail in place and secure using the screws provided.

