

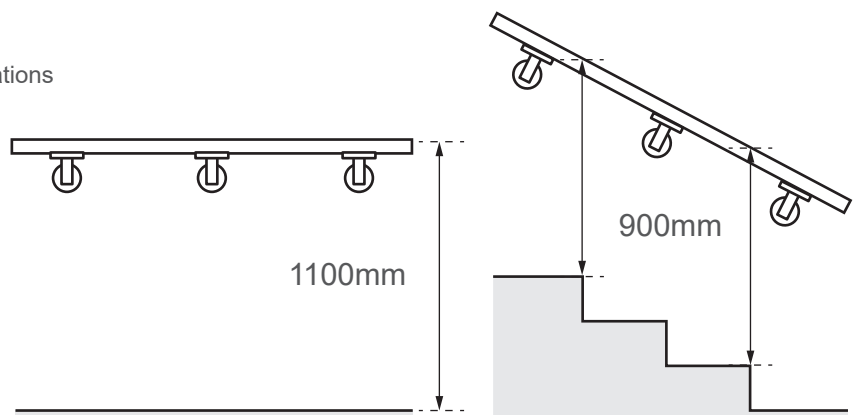
## Installation Advice for Tubular Handrail Tubular Handrail with Curved Plate Bracket - Mod 112

For a straight forward installation you will require a few household tools:

- Pencil
- Tape Measure
- Spirit Level
- Drill
- Spanner / Wrench
- Rawl / Wall Plugs

### Handrail Positioning

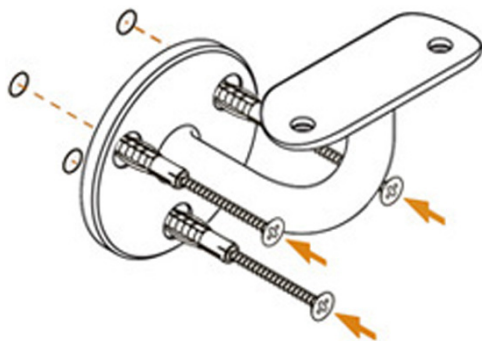
Recommended height of 1100mm on flat installations and 900mm on stairways.



### Installation

First we recommend that you mark out the bracket positions in pencil onto the intended fixing surface, using a tape measure and spirit level.

- 1** Drill pilot holes and insert your rawl/wall plug. Fix the handrail brackets to the wall with No.10 screws.



- 2** Position handrail in place and secure using the screws provided.

