

# Installation Advice for Tubular Handrail

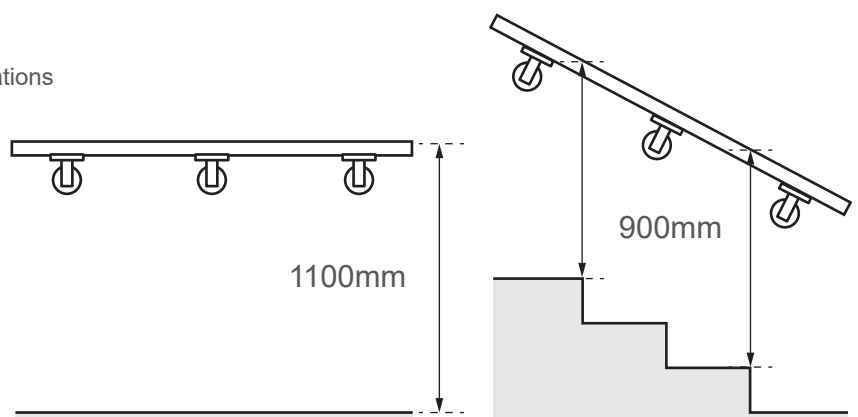
## Tubular Handrail with Invisible Fixing Bracket - Mod 147

For a straight forward installation you will require a few household tools:

- Pencil
- Tape Measure
- Spirit Level
- Drill
- Screwdriver
- Rawl / Wall Plugs

### Handrail Positioning

Recommended height of 1100mm on flat installations and 900mm on stairways.



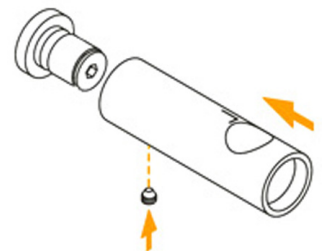
### Installation

First we recommend that you mark out the bracket positions in pencil onto the intended fixing surface, using a tape measure and spirit level.

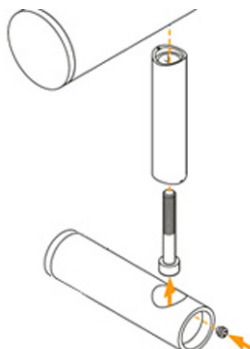
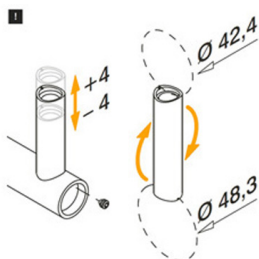
- 1** Drill pilot holes and insert your rawl/wall plugs and fix handrail mounting plate securely in place.



- 2** Slide the bracket stem onto the mounting plate and secure in place with the grub screw using a hex head key.



- 3** Attach upright stem to handrail and secure to bracket mount by tightening the grub screw.



- 4** Push fit cover cap into place.

