

Installation Advice for Tubular Handrail

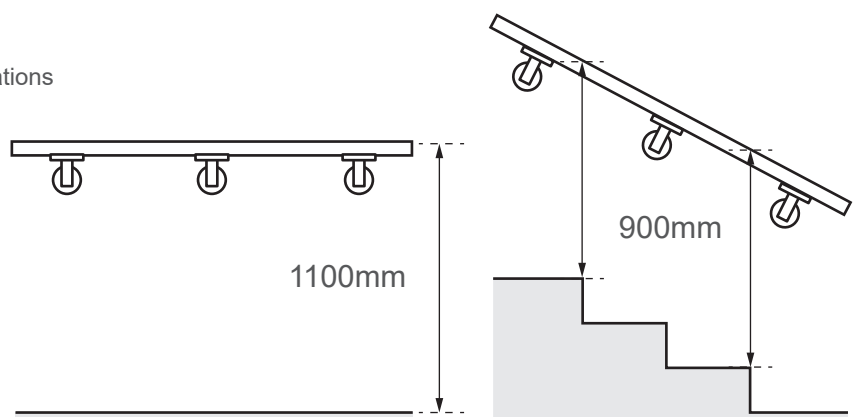
Tubular Handrail with Flush Fix Plate Bracket - Mod 149

For a straight forward installation you will require a few household tools:

- Pencil
- Tape Measure
- Spirit Level
- Drill
- Screwdriver
- Rawl / Wall Plugs

Handrail Positioning

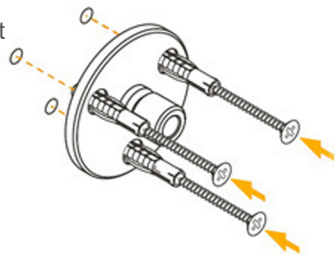
Recommended height of 1100mm on flat installations and 900mm on stairways.



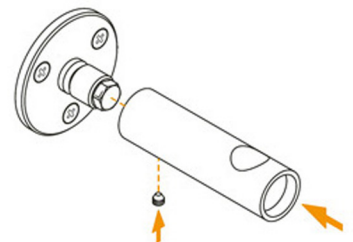
Installation

First we recommend that you mark out the bracket positions in pencil onto the intended fixing surface, using a tape measure and spirit level.

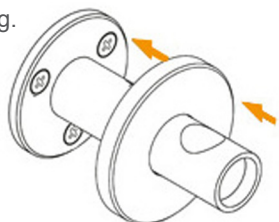
- 1** Drill pilot holes and insert your rawl/wall plug. Fix the handrail brackets to the wall with No.10 screws.



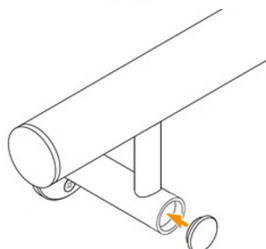
- 2** Slide the bracket stem onto the mounting plate and fix in place with the grub screw using a hex head key.



- 3** Place cover cap over mounting.



- 5** Push fit cover cap into place.



- 4** Attach upright stem to handrail and secure to bracket mount by tightening the grub screw.

