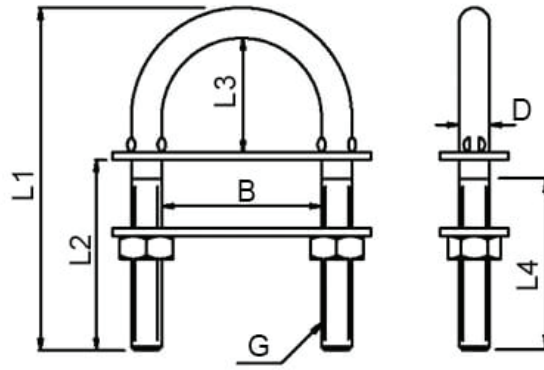


U Bolt - Stainless Steel



Option	Code	G (mm)	L1 (mm)	L2 (mm)	L3 (mm)	L4 (mm)	B (mm)	D (mm)	Break Load (kg)
M4 x 35	UB-M4-035	M4	66	35	25	30	26	4	750
M5 x 35	UB-M5-035	M5	67	35	25	30	25	4.4	900
M6 x 35	UB-M6-35	M6	67	35	26	30	27	5.3	1250
M6 x 50	UB-M6-50	M6	84	50	26	30	27	5.3	1250
M8 x 35	UB-M8-35	M8	71	35	26	30	25	7.1	1750
M8 x 50	UB-M8-50	M8	86	50	26	30	25	7.1	1750
M8 x 80	UB-M8-80	M8	116	80	26	30	25	7.1	1750
M10 x 45	UB-M10-045	M10	95	43	40	40	30	10	3500
M10 x 60	UB-M10-060	M10	110	58	40	35	30	10	3500
M10 x 100	UB-M10-100	M10	150	98	40	85	30	10	3500
M12 x 80	UB-M12-080	M12	122	80	30	85	35	10.8	5100

A note about dimensional information

Please be aware that dimensions published on our site should be treated as indicative.

We publish dimensions to the best of our ability, however manufacturers can, from time to time, make small alterations to their designs.

If your dimensional criteria is critical please do contact us prior to making your purchase to let us know and we will do our best to fulfil your requirements.