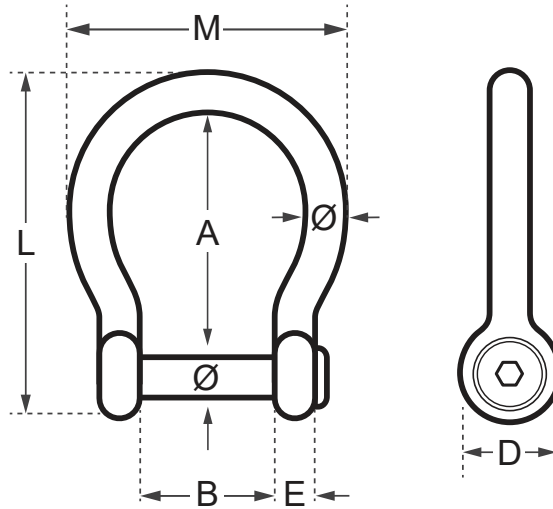


Wichard Bow Shackle - Allen Head Pin



Code	Ø (mm)	L (mm)	A (mm)	B (mm)	D (mm)	E (mm)	M (mm)	WLL (kg)	Working Load* (kg)	Break Load (kg)	Weight (kg)
WD-1343	6	43	27	12	12	5	32	300	600	1500	0.029
WD-1344	8	56	37	16	16	7	40	540	960	2700	0.067
WD-1345	10	72	47	20	20	9	52	860	1440	4300	0.133
WD-1346	12	87	55	24	24	10	63	1200	2080	6000	0.222

* Working Load refers to nautical applications.

Working Load Limit (WLL): for industrial applications only. WLL = 5:1 safety factor of the break load.

A note about dimensional information

Please be aware that dimensions published on our site should be treated as indicative.

We publish dimensions to the best of our ability, however manufacturers can, from time to time, make small alterations to their designs.

If your dimensional criteria is critical please do contact us prior to making your purchase to let us know and we will do our best to fulfil your requirements.