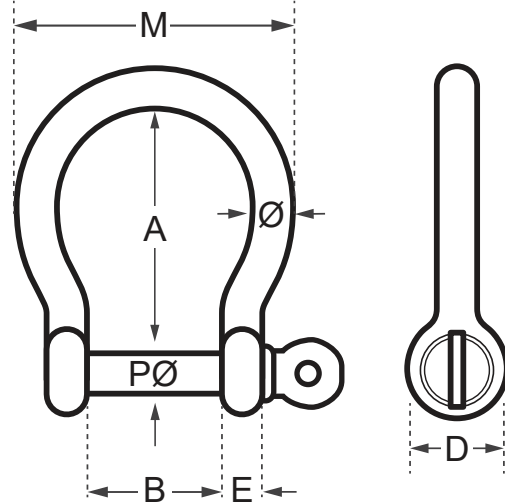


Wichard Bow Shackle - Captive Pin



Code	Ø (mm)	PØ (mm)	A (mm)	B (mm)	D (mm)	E (mm)	M (mm)	WLL (kg)	Working Load* (kg)	Break Load (kg)	Weight (kg)
WD-1441	4	5	18	8	9	4	21	200	320	1000	0.010
WD-1442	5	6	23	10	11	5	26	300	480	1500	0.019
WD-1443	6	7	27	12	14	6	31	440	600	2200	0.033
WD-1444	8	9	37	16	18	8	42	740	1000	3700	0.075
WD-1445	10	11	46	20	21	9	52	1040	1520	5200	0.139

* Working Load refers to nautical applications.

Working Load Limit (WLL): for industrial applications only. WLL = 5:1 safety factor of the break load.

A note about dimensional information

Please be aware that dimensions published on our site should be treated as indicative.

We publish dimensions to the best of our ability, however manufacturers can, from time to time, make small alterations to their designs.

If your dimensional criteria is critical please do contact us prior to making your purchase to let us know and we will do our best to fulfil your requirements.