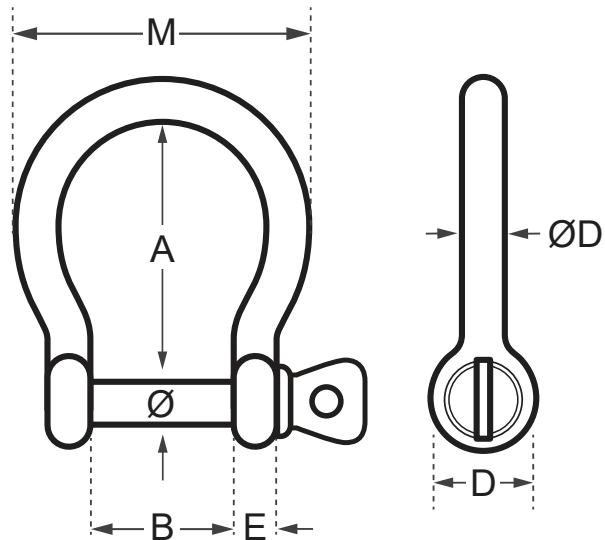


Wichard Bow Shackle - High Resistance Stainless Steel



Code	Ø (mm)	A (mm)	B (mm)	D (mm)	ØD (mm)	E (mm)	M (mm)	WLL (kg)	Working Load* (kg)	Break Load (kg)	Weight (kg)
WD-11244	8	37	16	16	10	7	42	820	1760	4100	0.068
WD-11245	10	47	22	20	12	9	52	1200	2640	6000	0.136
WD-11246	12	55	24	24	14	10	63	2000	3600	10000	0.224
WD-11240	14	63	28	28	14	13	72	2400	5120	12000	0.364
WD-11247	16	70	32	32	16	15	83	3800	6800	19000	0.526
WD-11248	20	80	40	40	20	18	100	5600	8800	28000	1.011
WD-11249	24	108	48	47	24	20	118	7000	12800	35000	1.706

* Working Load refers to nautical applications.

Working Load Limit (WLL): for industrial applications only. WLL = 5:1 safety factor of the break load.

A note about dimensional information

Please be aware that dimensions published on our site should be treated as indicative.

We publish dimensions to the best of our ability, however manufacturers can, from time to time, make small alterations to their designs.

If your dimensional criteria is critical please do contact us prior to making your purchase to let us know and we will do our best to fulfil your requirements.