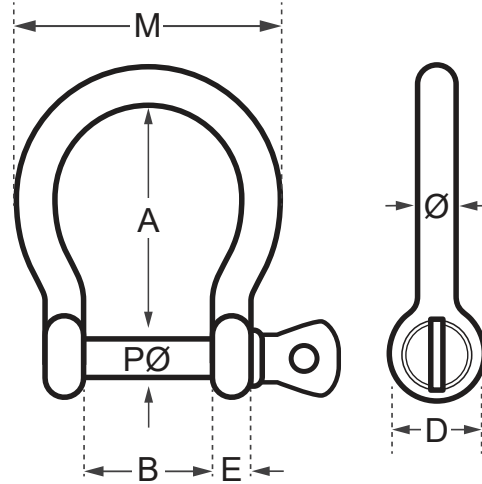


Wichard Bow Shackle - Titanium



Code	PØ (mm)	Ø (mm)	A (mm)	B (mm)	D (mm)	E (mm)	M (mm)	Working Load (kg)	Break Load (kg)	Weight (kg)
WD-51245	10	6	47	20	20	9	52	2160	6000	0.082
WD-51246	12	8	55	24	24	10	63	2800	8000	0.136

* Working Load refers to nautical applications,
For lifting and industrial applications the working load limit (WLL) is 1/5 of the break load..

A note about dimensional information

Please be aware that dimensions published on our site should be treated as indicative.

We publish dimensions to the best of our ability, however manufacturers can, from time to time, make small alterations to their designs.

If your dimensional criteria is critical please do contact us prior to making your purchase to let us know and we will do our best to fulfil your requirements.