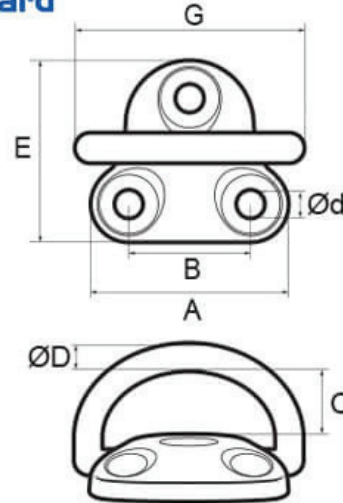


Wichard Folding Pad Eye - Stainless Steel



Code	A (mm)	B (mm)	C (mm)	ØD (mm)	Ød (mm)	E (mm)	G (mm)	Working Load (kg)	Break Load (kg)
WD-6604	45	27	15.5	6	6.4	41	44	1140	3000
WD-6605	57	35	20	8	8.5	51	59	2400	5000
WD-6606	75	45	25	10	10.5	68	80	4080	9000

A note about dimensional information

Please be aware that dimensions published on our site should be treated as indicative.

We publish dimensions to the best of our ability, however manufacturers can, from time to time, make small alterations to their designs.

If your dimensional criteria is critical please do contact us prior to making your purchase to let us know and we will do our best to fulfil your requirements.