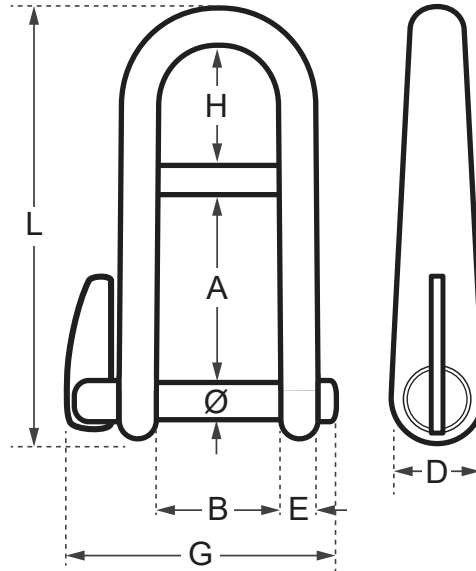


Wichard Key Pin Shackle - High Resistance Stainless Steel



Code	Ø (mm)	L (mm)	A (mm)	B (mm)	D (mm)	E (mm)	G (mm)	H (mm)	Working Load (kg)	Break Load (kg)	Weight (kg)
WD-91432	5	49	37	13	11	4	31	12	480	1500	0.031
WD-91433	6	60	45	16	13	4	37	15	600	2200	0.053
WD-91434	8	79	59	21	20	6	48	20	960	3500	0.123

* Working Load refers to nautical applications,
For lifting and industrial applications the working load limit (WLL) is 1/5 of the break load.

A note about dimensional information

Please be aware that dimensions published on our site should be treated as indicative.

We publish dimensions to the best of our ability, however manufacturers can, from time to time, make small alterations to their designs.

If your dimensional criteria is critical please do contact us prior to making your purchase to let us know and we will do our best to fulfil your requirements.