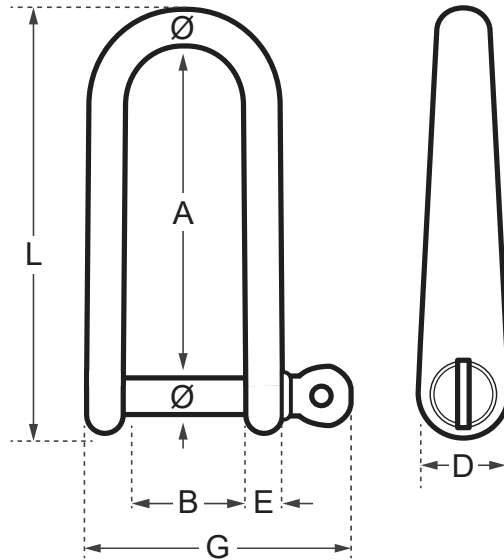


Wichard Tack Shackle - Self Locking Pin



Code	Ø (mm)	L (mm)	A (mm)	B (mm)	D (mm)	E (mm)	G (mm)	Working Load (kg)	Break Load (kg)	Weight (kg)
WD-1233	6	60	45	16	13	4	33	520	1500	0.048
WD-1234	8	79	59	21	17	6	45	800	2300	0.110

* Working Load refers to nautical applications,

For lifting and industrial applications the working load limit (WLL) is 1/5 of the break load.

A note about dimensional information

Please be aware that dimensions published on our site should be treated as indicative.

We publish dimensions to the best of our ability, however manufacturers can, from time to time, make small alterations to their designs.

If your dimensional criteria is critical please do contact us prior to making your purchase to let us know and we will do our best to fulfil your requirements.